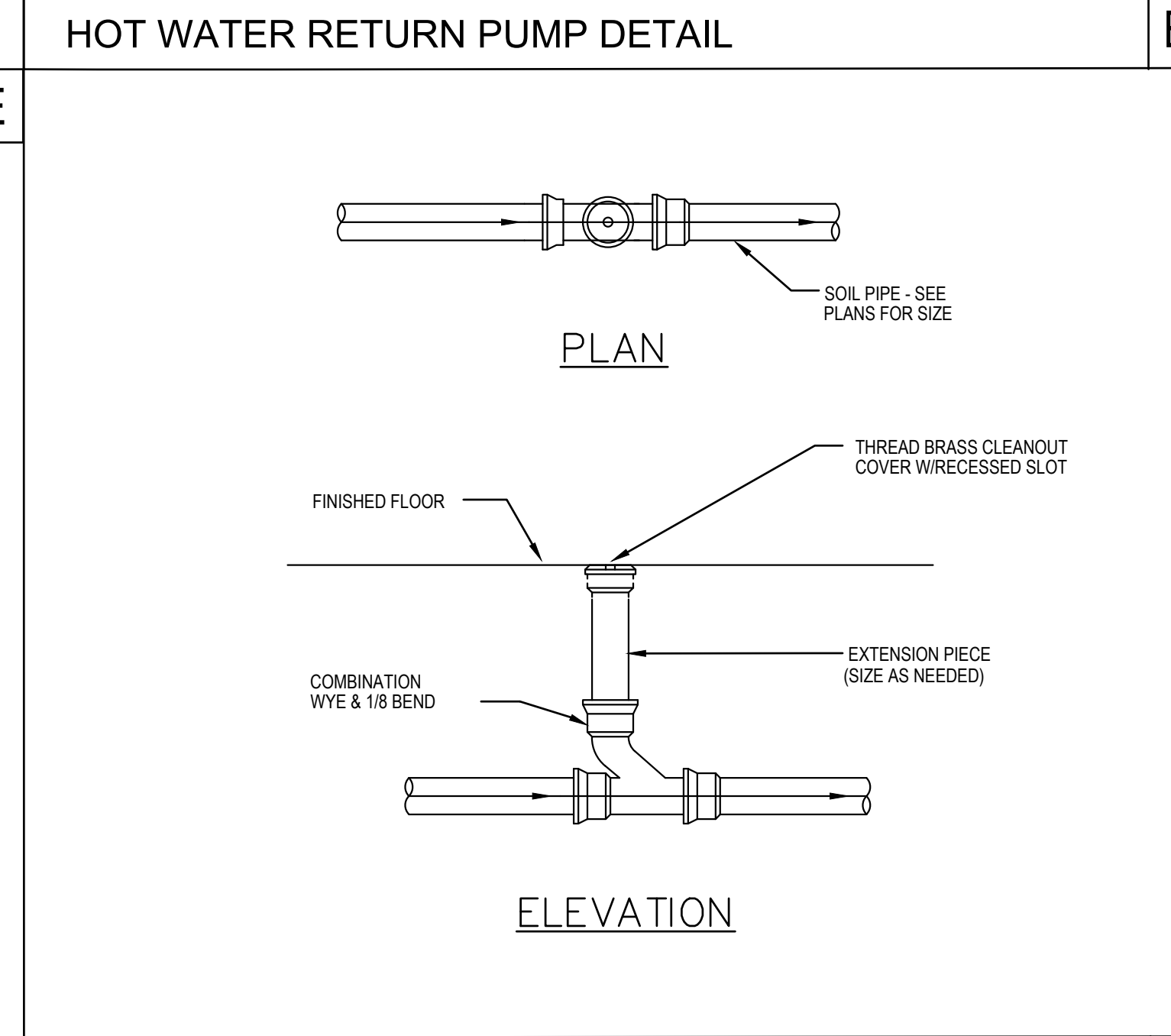
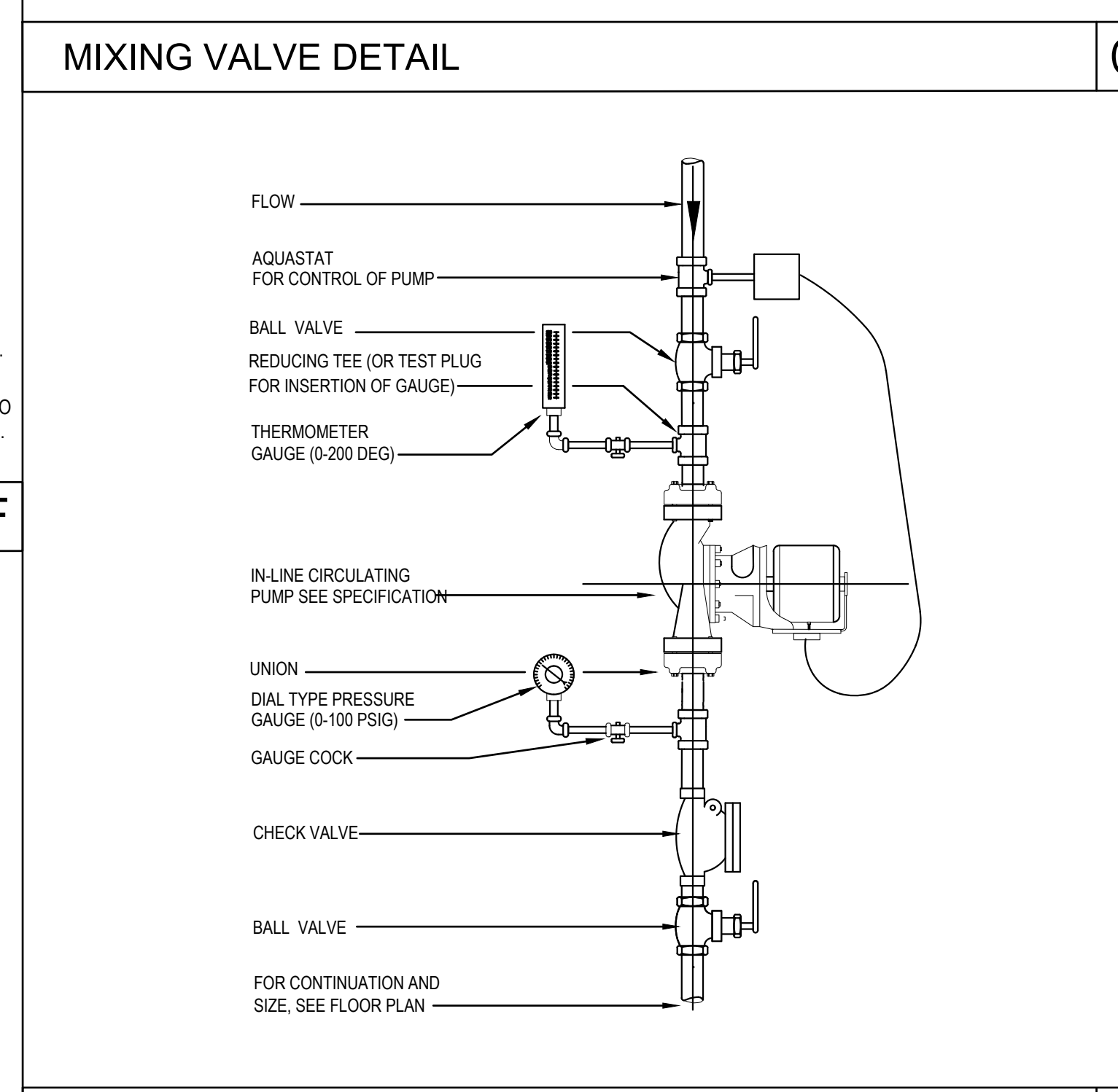
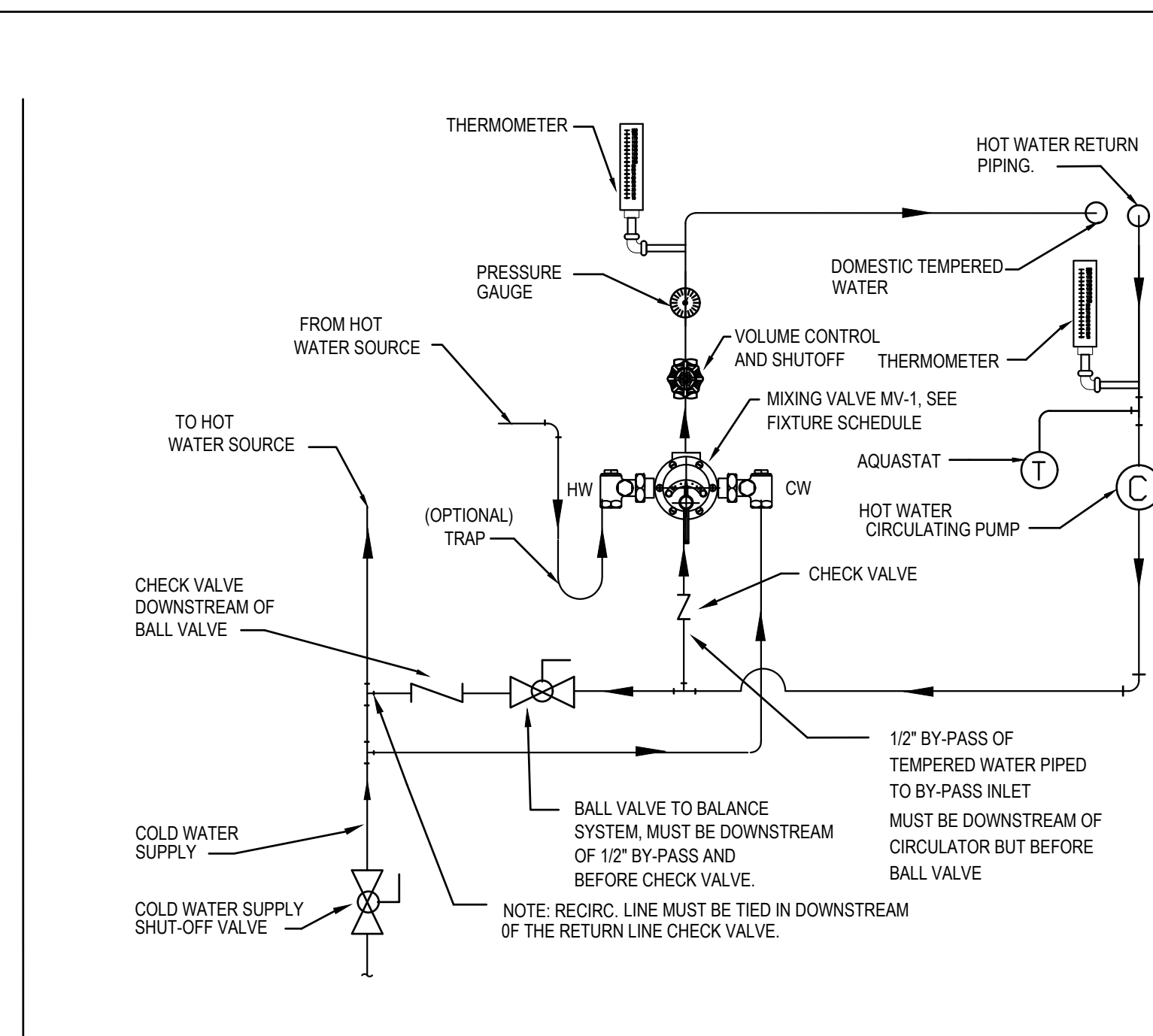
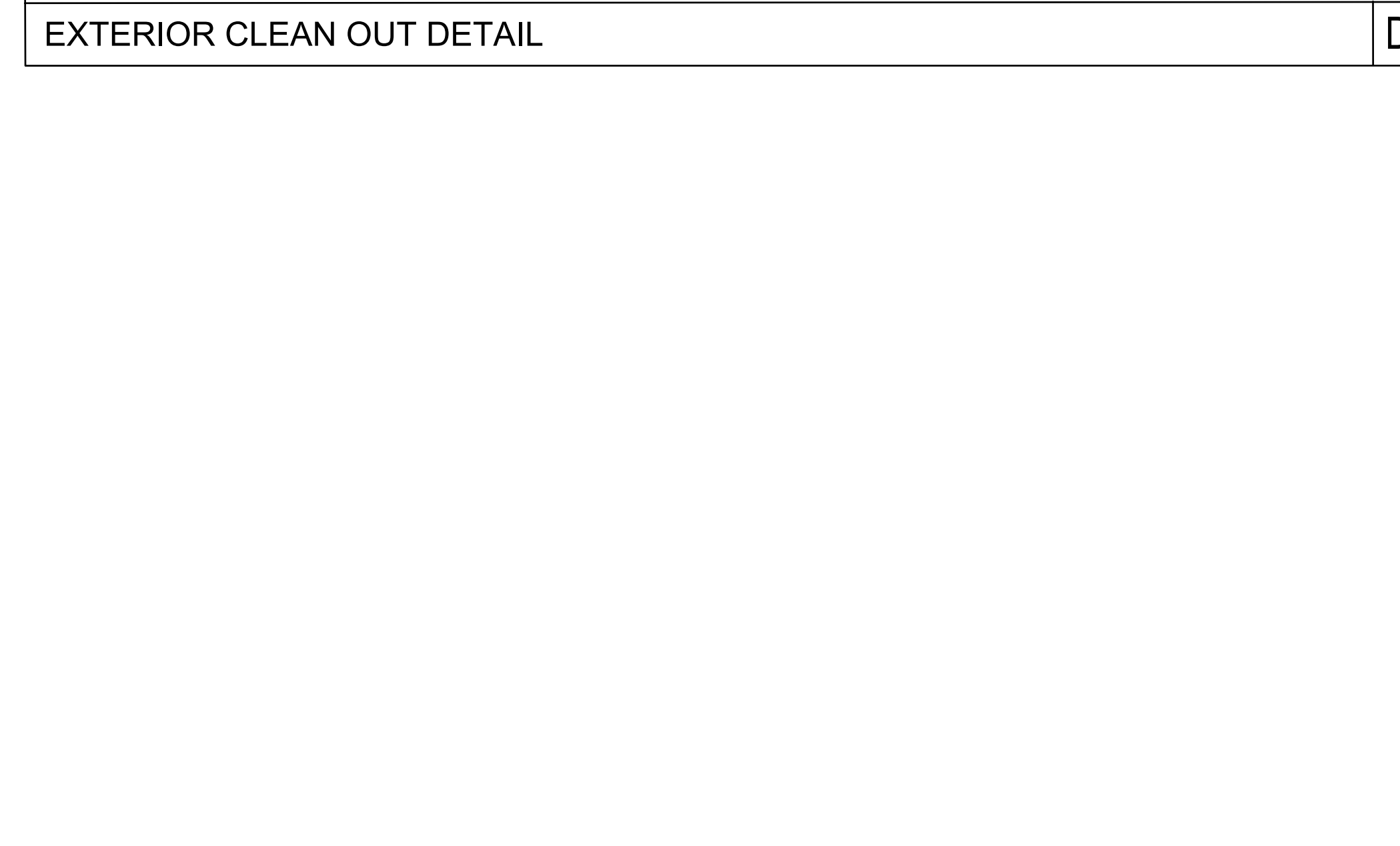
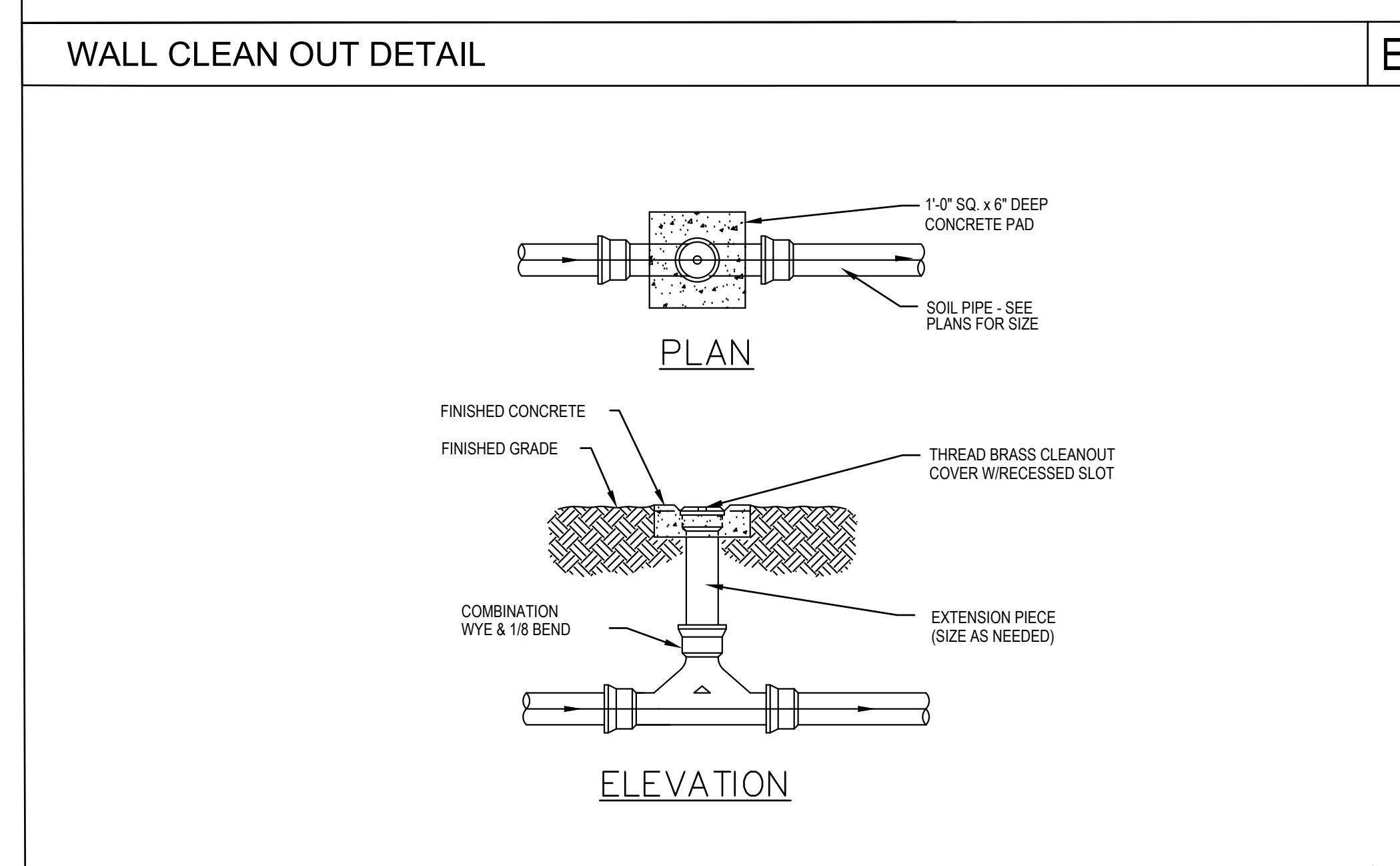
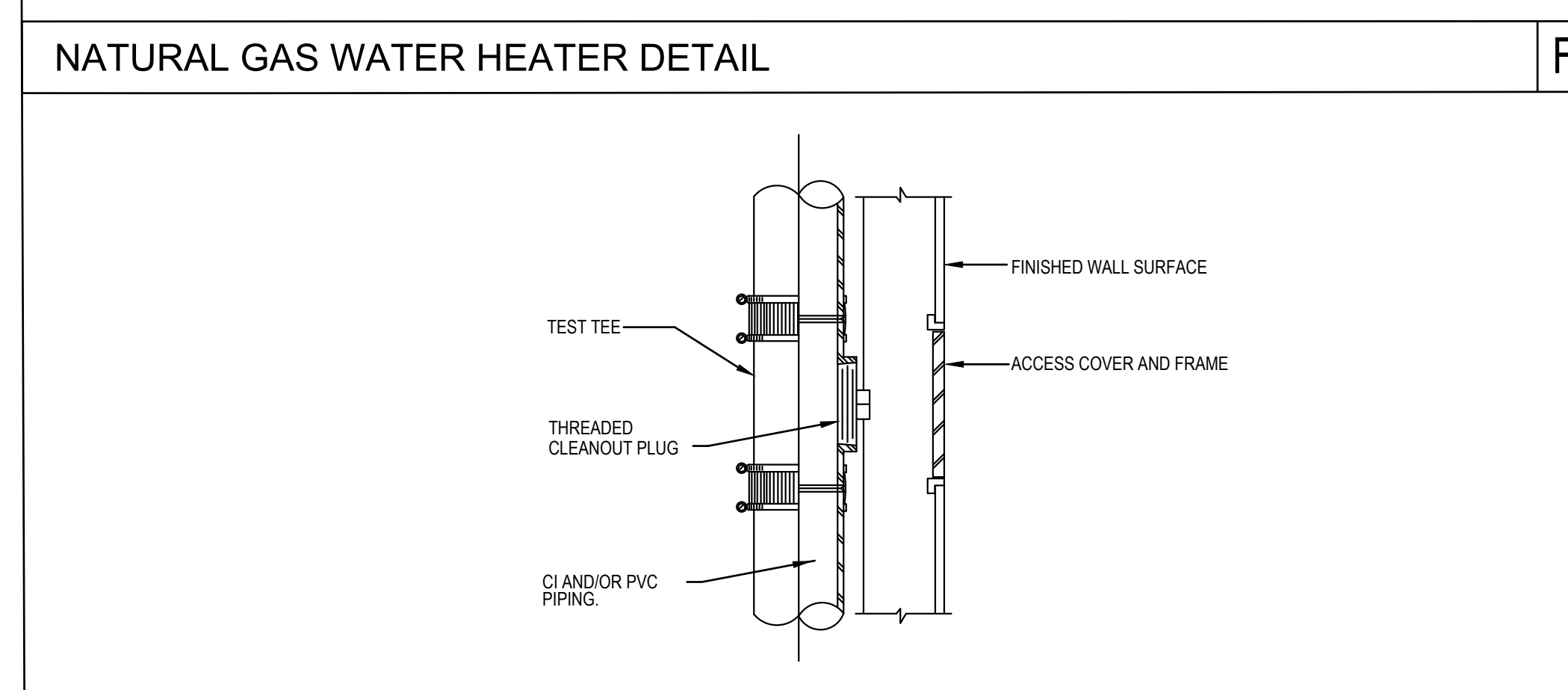


PROVIDE DRAIN PAN, RUN OVERFLOW LINE TO FLOOR DRAIN, PROVIDE WITH APPROVED INDIRECT WASTE.

NOTE:
 1. STRAP-ON AQUASTAT SET TO ACTIVE @ 115°F FOR THE 120°F HW RECIRCULATION SYSTEM.
 2. PIPING ARRANGEMENT SHOWN IS SCHEMATIC, ADJUST TO SUIT FIELD CONDITIONS. REFER TO FLOOR PLANS FOR PIPE SIZES. SET HEATER THERMOSTAT AT 140 DEGREES F. REFER TO ALL MANUFACTURER'S INSTALLATION MANUALS FOR EXACT INSTALLATION REQUIREMENTS.



PLUMBING FIXTURE SCHEDULE	
WC-1 FLOOR MOUNTED WATER CLOSET	SH-2 VICHY SHOWER - PROVIDED BY OWNER, INSTALLED BY PLUMBING CONTRACTOR
VITREOUS CHINA, RIM 15" AFF. FLOOR MOUNTED TANK TYPE, VITREOUS CHINA, WATER SAVER, ELONGATED BOWL, BOLT CAPS, COORDINATE FINISH AND COLOR WITH ARCHITECT. SOLID PLASTIC OPEN FRONT ELONGATED SEAT (WHITE) W/IS, CHECK HINGES.	PRESSURE BALANCING MIXING VALVE, BRASS BODY, WASHER-LESS CERAMIC DRIP-FREE DISC VALVE CARTRIDGE, INTEGRAL HOT WATER LIMIT STOP SET TO 105° F, SCREW DRIVER STOPS WITH SEPARATE CHECKS, METAL WALL ESCUTCHEON, PRESSURE BALANCING MIXING VALVE, METAL LEVER HANDLE, ALTERNATE SHOWER HEAD, ARM AND FLANGE.
SEAT SHALL BE EXTRA HEAVY SOLID PLASTIC WITH STAINLESS STEEL SELF SUSTAINING CHECK HINGE, OPEN FRONT LESS COVER.	SINGLE FUNCTION SHOWER HEAD, TURBINE SPRAY, ADJUSTABLE ANGLE, 1.5 GPM.
BASIS OF DESIGN KOHLER - K-3609 SEAT - BEMS - 1655-SS/C	TOUCH AMERICA - 22003-0100
L-1 LAVATORY	BT-1 BATH TUB - PROVIDED BY OWNER, INSTALLED BY PLUMBING CONTRACTOR
VITREOUS CHINA, 21" x 17-5/8" OVAL, SELF RIMMING, FRONT OVERFLOW.	PRESSURE BALANCING MIXING VALVE, BRASS BODY, WASHER-LESS CERAMIC DRIP-FREE DISC VALVE CARTRIDGE, INTEGRAL HOT WATER LIMIT STOP SET TO 105° F, SCREW DRIVER STOPS WITH SEPARATE CHECKS, METAL WALL ESCUTCHEON, PRESSURE BALANCING MIXING VALVE, METAL LEVER HANDLE, ALTERNATE SHOWER HEAD, ARM AND FLANGE.
METERING PUSH HANDLE WITH COLD WATER CODED INDEX.	SINGLE FUNCTION SHOWER HEAD, TURBINE SPRAY, ADJUSTABLE ANGLE, 1.5 GPM.
COLD & HOT WATER BRASS FAUCET, 0.5 GPM FLOW REGULATOR, CHROME PLATED CHROME PLATED STRAINER, CAST GRID STRAINER WITH 1-1/4" TAILPIECE, PLATED 17 GAUGE 1-1/4" X 1-1/2" BRASS P-TRAP WITH CLEANOUT.	APPROVED SUPPLIER, VINTAGE TUBS, 877-8681389
BASIS OF DESIGN KOHLER - 2211 FAUCET - MOEN CA8492SRN SUPPLIES - KOHLER K-7608-CP	RANDOLPH MORRIS - LG67SL7W/SW/S RANDOLPH MORRIS - RM4622-C
S-1 SINK	MS-1 MOP SINK
SINGLE COMPARTMENT SELF RIMMING SINK CONSTRUCTED OF TYPE 302 18 GAUGE STAINLESS STEEL 25" X 22" X 10" DEEP. INTERIOR AND TOP SURFACES SHALL BE POLISHED TO A HIGH LUSTER FINISH. PROVIDE SINK WITH REAR OFFSET STRAINER.	FLOOR MOUNTED 24"X24"X10" MOLDED STONE WITH STAINLESS STEEL CAP, INTEGRAL CAST STAINLESS STEEL DRAIN BODY, PROVIDE FOR A GASKETED DRAIN CONNECTION NOT LESS THAN 1" DEEP TO A 2" PIPE.
CHROME PLATED BRASS FAUCET, VANDAL RESISTANT 1.5 GPM FLOW REGULATOR, 8" FAUCET HOLES, SWING SPOUT, LEVER HANDLES, COLD AND HOT WATER CODED INDEX.	PROVIDE STAINLESS STEEL WALL GUARDS ON WALLS.
BASIS OF DESIGN SINK - HOME DEPOT - ASGAD02522 FAUCET - MOEN - CA8492SRN SUPPLIES - KOHLER - K-7608-CP	WALL MOUNTED FAUCET SHALL BE CHROME PLATED WITH RENEWABLE SEATS, VACUUM BREAKER, INTEGRAL STOP, ADJUSTABLE WALL BRACE, PAIL HOOK, AND 3/4" HOSE THREAD ON SPOUT, 3/8" HOSE WITH 3/4" CHROME COUPLING AND WALL BRACKET.
S-2 SINK	IMB-1 ICE MAKER BOX
SINGLE COMPARTMENT SELF RIMMING SINK CONSTRUCTED OF TYPE 302 18 GAUGE STAINLESS STEEL 25" X 19" X 10" DEEP. INTERIOR AND TOP SURFACES SHALL BE POLISHED TO A HIGH LUSTER FINISH. PROVIDE SINK WITH REAR OFFSET STRAINER.	FIRE RATED WALL BOX, QUARTER TURN BRASS ANGLE VALVE.
CHROME PLATED BRASS FAUCET, VANDAL RESISTANT 1.5 GPM FLOW REGULATOR, 8" FAUCET HOLES, 9" SWING SPOUT, LEVER HANDLES, COLD AND HOT WATER CODED INDEX.	BASIS OF DESIGN BOX AND VALVE - GUY GRAY FRB12 SERIES
BASIS OF DESIGN SINK - KOHLER - K-5287 FAUCET - DELTA - 2190 SUPPLIES - KOHLER - K-7608-CP	MV-1 MIXING VALVE BRADLEY MOD. NO. S59-2025-R-S-T-8-P, ASSE 1017 RATED, WITH INTEGRAL CHECKS.
S-3 SINK	MV-2 MIXING VALVE BRADLEY MOD. NO. S59-2000-A, ASSE 1070 RATED, WITH INTEGRAL CHECKS.
SINGLE COMPARTMENT SELF RIMMING SINK CONSTRUCTED OF TYPE 302 18 GAUGE STAINLESS STEEL 25" X 19" X 10" DEEP. INTERIOR AND TOP SURFACES SHALL BE POLISHED TO A HIGH LUSTER FINISH. PROVIDE SINK WITH REAR OFFSET STRAINER.	LI-1 LINT INTERCEPTOR
CHROME PLATED BRASS FAUCET, VANDAL RESISTANT 1.5 GPM FLOW REGULATOR, 8" FAUCET HOLES, 9" SWING SPOUT, LEVER HANDLES, COLD AND HOT WATER CODED INDEX.	ACID RESISTANT COATED INTERIOR AND EXTERIOR FABRICATED STEEL LINT INTERCEPTOR, NON SKID SECURED COVER WITH REMOVABLE LIFT HANDLE, ALUMINUM LINT INTERCEPTING SECONDARY SCREEN ASSEMBLY, AND PERMANENT PRIMARY STRAINING BAFFLE WITH 1/2" DIAMETER PERFORATED HOLES.
BASIS OF DESIGN SINK - MUSTEE - MODEL I FAUCET - DELTA - 93310-LF	BASIS OF DESIGN ZURN Z-1185-70-Z-E
S-4/HWD-1 SINK/HOT WATER DISPENSER	FD-1 FLOOR DRAIN
SINGLE COMPARTMENT SELF RIMMING SINK CONSTRUCTED OF TYPE 302 18 GAUGE STAINLESS STEEL 25" X 19" X 10" DEEP. INTERIOR AND TOP SURFACES SHALL BE POLISHED TO A HIGH LUSTER FINISH. PROVIDE SINK WITH REAR OFFSET STRAINER.	DURA-COATED CAST IRON BODY WITH BOTTOM OUTLET, COMBINATION INVERTIBLE MEMBRANE CLAMP AND ADJUSTABLE COLLAR WITH SEEPAGE SLOTS AND SQUARE TYPE 'B' POLISHED NICKEL BRONZE STRAINER, PROVIDE 1/2" COLD WATER TRAP PRIMER CONNECTION.
CHROME PLATED BRASS FAUCET, VANDAL RESISTANT 1.5 GPM FLOW REGULATOR, 8" FAUCET HOLES, 9" SWING SPOUT, LEVER HANDLES, COLD AND HOT WATER CODED INDEX.	ZURN - ZN415-S-P
BASIS OF DESIGN SINK - STERLING - 14631 FAUCET - DELTA - B3310-LF SUPPLIES - KOHLER - K-7609 HWD-1 - EMERSON - HC-WAVE-SS	FD-2 FLOOR DRAIN
SH-1 SHOWER	DURA-COATED CAST IRON BODY WITH BOTTOM OUTLET, COMBINATION INVERTIBLE MEMBRANE CLAMP AND ADJUSTABLE COLLAR WITH SEEPAGE SLOTS AND SQUARE TYPE 'B' POLISHED NICKEL BRONZE STRAINER WITH HINGED STRAINER AND SEDIMENT BUCKET, PROVIDE 1/2" COLD WATER TRAP PRIMER CONNECTION.
PRESSURE BALANCING MIXING VALVE, BRASS BODY, WASHER-LESS CERAMIC DRIP-FREE DISC VALVE CARTRIDGE, INTEGRAL HOT WATER LIMIT STOP SET TO 105° F, SCREW DRIVER STOPS WITH SEPARATE CHECKS, METAL WALL ESCUTCHEON, PRESSURE BALANCING MIXING VALVE, METAL LEVER HANDLE, ALTERNATE SHOWER HEAD, ARM AND FLANGE.	ZURN - ZN415-SH-Y
SINGLE FUNCTION SHOWER HEAD, TURBINE SPRAY, ADJUSTABLE ANGLE, 1.5 GPM.	WHA-1 SHOCK ARRESTER
DELTA - RPW124DF DELTA - 5282 DELTA - M690 DELTA - 5286-SS DELTA - RP1658 DELTA - RPW124DF-LDH DELTA - 5246-815-80	BASIS OF DESIGN PRECISION PLUMBING PRODUCTS - SC SERIES
	FWC-1 ELECTRIC WATER COOLER
	BARRIER FREE, ADA, WALL MOUNTED DUAL HEIGHT, WALL MOUNTED REFRIGERATION SYSTEM, TYPE 304 STAINLESS STEEL DRINKING FOUNTAIN BASIN WITH INTEGRAL DRAIN, COOLER CABINET AS STAINLESS STEEL, FLOOD-GUARD SAFETY BUBBLERS, STRAINER AND TAILPIECE, INTERNAL CHILLER UNIT CAPABLE OF 8 GPH OF 50 DEG. F AT AN AMBIENT TEMPERATURE OF 90 DEG. F. ELECTRICAL CHARACTERISTICS - 115 V AC, 60 HZ, PROVIDE BOTTLE FILLER.
	3/8 INCH I.P.S SUPPLY WITH KEY STRAIGHT STOP.
	BASIS OF DESIGN ELKAY - EZSTLGRWSSK

INTERPLAN
 ARCHITECTURE
 ENGINEERING
 INTERIOR DESIGN
 PROJECT MANAGEMENT

6815 MANHATTAN BOULEVARD SUITE 115
 FORT WORTH, TEXAS 76120
 PH 682.747.5054

ADAM J. BARNY
 P.E. #114539

Joseph Lawrence & Co
 Space Coast
 Consulting Engineers
 317 RIVERBIDGE BLVD SUITE 110
 COCCOA, FLORIDA 32922
 TEL 321.972.4466
 WWW.JL&CO.COM
 CA NO. 32770
 JSC19.015.00

NO DATE REMARKS
 REVISIONS

WOODHOUSE DAY SPA
 RENOVATION
 MARKET STREET
 9595 SIX PINES DRIVE
 THE WOODLANDS, TEXAS 77680

PROJECT NO: 2019.0172
 DATE: APRIL 08, 2019

P4.0

CHECKED: LMS DRAWN: PJR